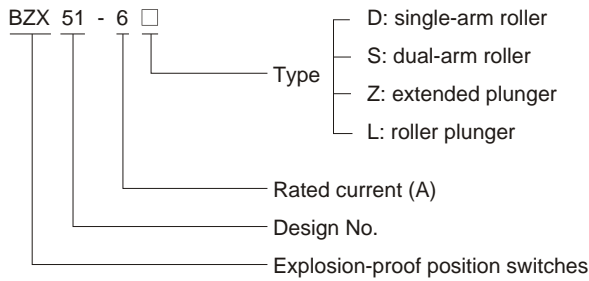


## Position Switches

### BZX51-6 Series Explosion-proof Position Switches

- ◆ Explosion protection to
  - CENELEC
  - IEC
- ◆ Can be used in Zone 1 and Zone 2
- ◆ Types: D, S, Z, L.
- ◆ Increased safety enclosure with explosion-proof components.
- ◆ Copper-free aluminium enclosure; powder coated external surface.

#### ■ Catalogue number logic

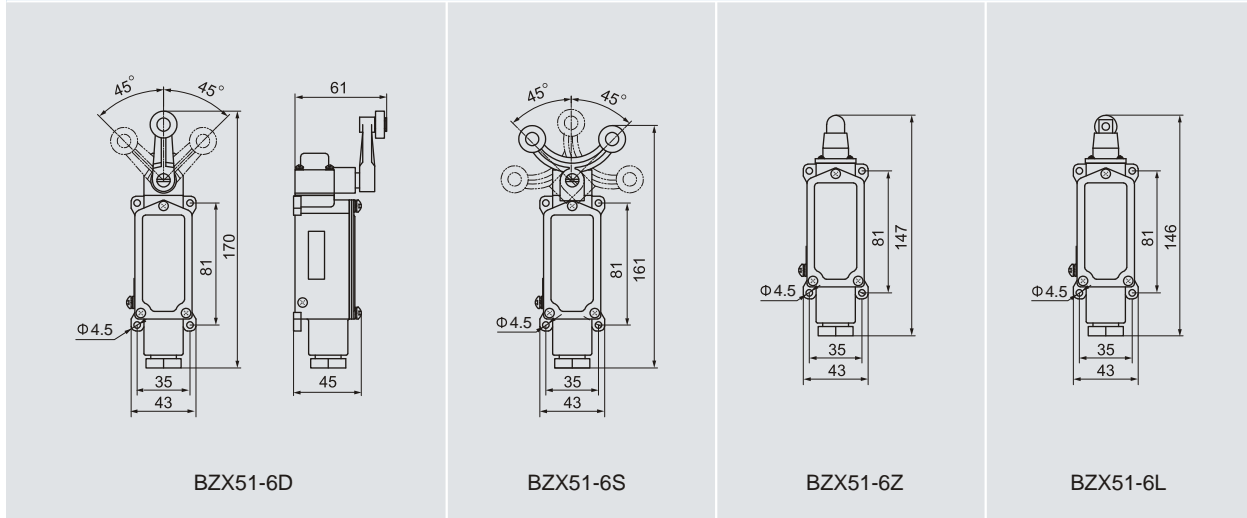


Selection table					
Type	Rated voltage (V)	Rated current (A)	Type of contact	Ordering code	Weight (kg)
BZX51-6D	250	6	1NO+1NC	40001	0.35
	250	6	2NO	40002	0.35
	250	6	2NC	40003	0.35
BZX51-6S	250	6	1NO+1NC	40004	0.35
	250	6	2NO	40005	0.35
	250	6	2NC	40006	0.35
BZX51-6Z	250	6	1NO+1NC	40007	0.25
	250	6	2NO	40008	0.25
	250	6	2NC	40009	0.25
BZX51-6L	250	6	1NO+1NC	40010	0.30
	250	6	2NO	40011	0.30
	250	6	2NC	40012	0.30

## Zones 1&2

Technical data				
Explosion-proof position switches BZX51-6□				
<b>Explosion protection</b>	Gas explosion protection $\text{Ex}$ II 2 G Ex de IIC T6 Gb Dust explosion protection $\text{Ex}$ II 2 D Ex t IIIIC T80°C Db IP65			
<b>Certificates</b>	DNV 12 ATEX____; IECEX; PCEC (China)			
<b>Conformity to standards</b>	EN 60079-0:2009, EN 60079-1:2007, EN 60079-7:2007, EN 60079-31:2009 IEC 60079-0:2007, IEC 60079-1:2007, IEC 60079-7:2006, IEC 60079-31:2008			
<b>Enclosure material</b>	Copper-free aluminium; powder coated external surface			
<b>Enclosure colour</b>	Window grey (RAL7040)			
<b>Exposed fastener</b>	Stainless steel			
<b>Switch</b>	BZX-6			
<b>Type of contact</b>	Ex-mark: $\text{Ex}$ II 2 G Ex de IIC T6			
<b>Swing angle or distance of roller arm</b>	BZX51-6D	BZX51-6S	BZX51-6Z	BZX51-6L
	45°	45°	4mm	4mm
<b>Rated voltage</b>	Max. 250V AC			
<b>Rated current</b>	6A			
<b>Degree of protection</b>	IP65			
<b>Ambient temperature</b>	-20°C ~ +55°C			
<b>Cable entries</b>	1 x G1/2"			
<b>Available cable outer diameter</b>	Φ6.5 ~ Φ9(mm)			

### Dimension drawings (all dimensions in mm) - subject to alteration



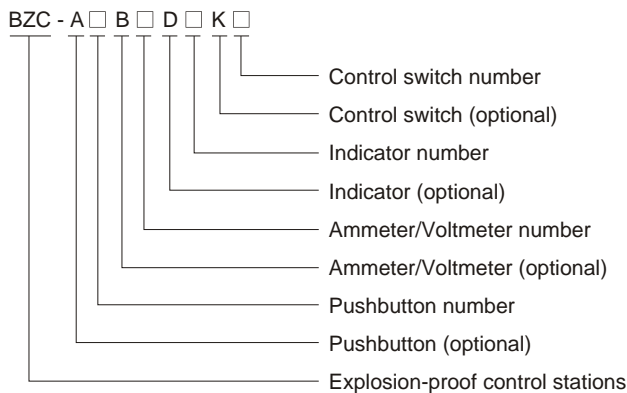


## Control Stations (Ex d IIB)

### BZC Series Explosion-proof Control Stations

- ◆ Explosion protection to
  - CENELEC
  - IEC
- ◆ Can be used in
  - Zone 1 and Zone 2
  - Zone 21 and Zone 22
- ◆ Copper-free aluminium enclosure; powder coated external surface.
- ◆ Six types of enclosure .

### ■ Catalogue number logic



### ■ Note

1. Please refer to the Selection Table on P4/5.
2. Please select internal components as below:
  - HA pushbutton selection table on P4/12~13 (Nominal contact is 1NO+1NC)
  - HD indicator selection table on P4/14~15
  - HK control switch selection table on P4/16~19
  - BB8050 explosion-proof ammeter/voltmeter selection table on P4/49~51
3. Example: BZC-A2B1K1
  - Components: Two pushbuttons, one ammeter, one control switch
  - Tech. Details: One start pushbutton (40036B-1 + 40033-1, green, 1NO+1NC);
  - One stop pushbutton (40036A-1 + 40033-1, red, 1NO+1NC);
  - One ammeter (40139, 100/5A);
  - One control switch (Function A, stop-run-start),
4. Special requirements on request.



## Zones 1&2; 21&22

Control station BZC (Ex d IIB) selection table

Enclosure type	Components arrangement	Cable entries and direction	Ordering code	Enclosure weight (kg)
I		2-M25 x 1.5 Bottom entry	40017.....	8.00
II		1-M32 x 1.5 or 2-M25 x 1.5 Bottom entry	40018.....	9.10
III		1-M32 x 1.5 or 3-M25 x 1.5 Bottom entry	40019.....	10.20
IV		1-M40 x 1.5 or 2-M32 x 1.5 or 4-M25 x 1.5 Bottom entry	40020.....	15.90
V		1-M40 x 1.5 or 4-M32 x 1.5 or 6-M25 x 1.5 Bottom entry	40021.....	27.50
VI		1-M40 x 1.5 or 4-M32 x 1.5 or 6-M25 x 1.5 Bottom entry	40022.....	40.00



## Control Stations (Ex d IIB)

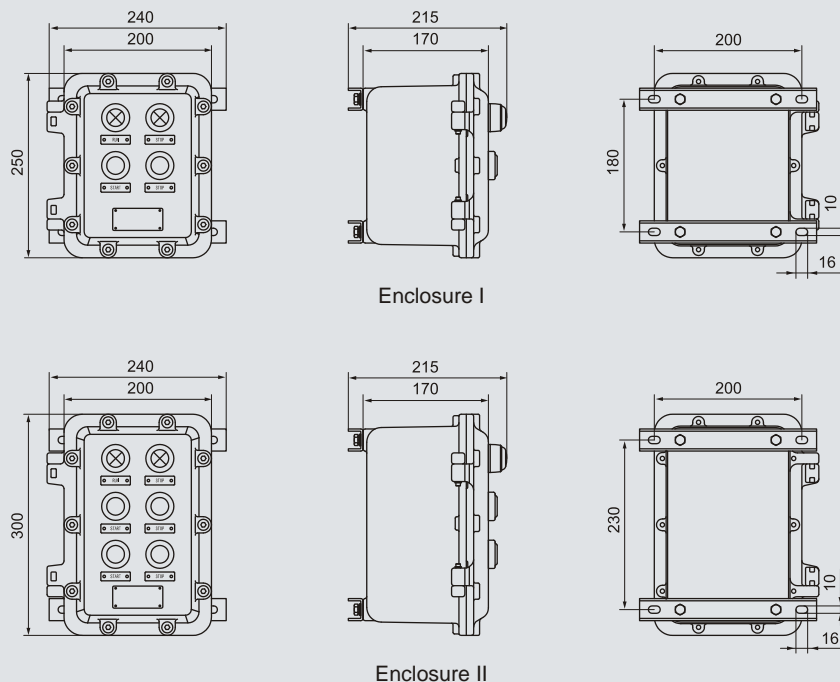
### BZC Series Explosion-proof Control Stations

#### Technical data

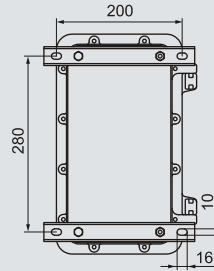
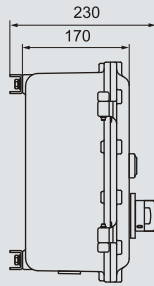
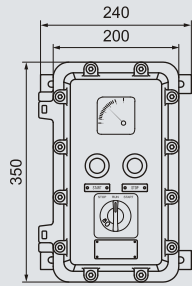
#### Explosion-proof control stations BZC (Ex d IIB)

<b>Explosion protection</b>	<p>Gas explosion protection <math>\text{Ex II 2 G Ex d IIB T6 Gb}</math></p> <p>Dust explosion protection <math>\text{Ex II 2 D Ex t IIIC T80}^\circ\text{C Db IP66}</math></p>
<b>Certificates</b>	LCIE 11 ATEX 3070X; IECEx CQM 11.0043; GOST.R (Russia)
<b>Conformity to standards</b>	EN 60079-0:2009, EN 60079-1:2007, EN 60079-31:2009 IEC 60079-0:2007, IEC 60079-1:2007, IEC 60079-31:2008
<b>Enclosure material</b>	Copper-free aluminium; powder coated external surface
<b>Enclosure colour</b>	Window grey (RAL7040)
<b>Exposed fastener</b>	Stainless steel
<b>Rated voltage</b>	Max. 415V AC
<b>Rated current</b>	10A
<b>Degree of protection</b>	IP66
<b>Ambient temperature</b>	$-60^\circ\text{C} \sim +55^\circ\text{C}$
<b>Components</b>	<ol style="list-style-type: none"> <li>1. HA pushbutton technical data on P4/12~13;</li> <li>2. HD indicator technical data on P4/14~15;</li> <li>3. HK control switch technical data on P4/16~19;</li> <li>4. BB8050 explosion-proof ammeter/voltmeter technical data on P4/49~51.</li> </ol>
<b>Cable entries</b>	Standard $M \square \times 1.5$ plug. Please see the Selection Table on P4/5
<b>Cable gland (optional)</b>	DQM-II (Ex d) or DQM-III (Ex d) is recommended. Please see P7/20~25.
<b>Mounting</b>	Surface type

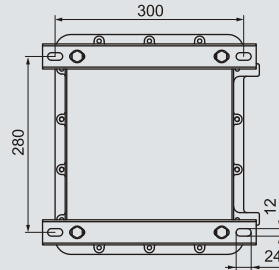
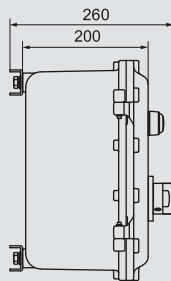
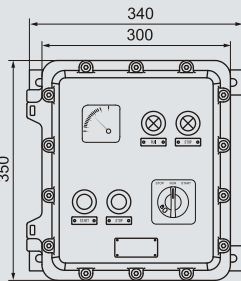
#### Dimension drawings (all dimensions in mm) - subject to alteration



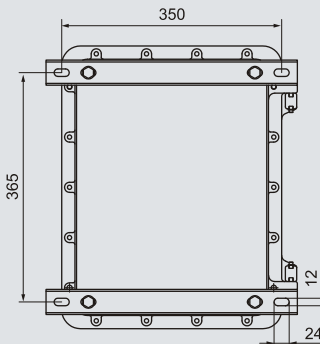
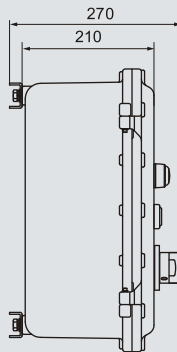
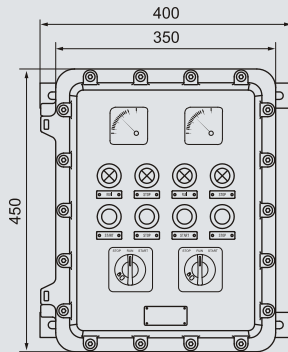
Dimension drawings (all dimensions in mm) - subject to alteration



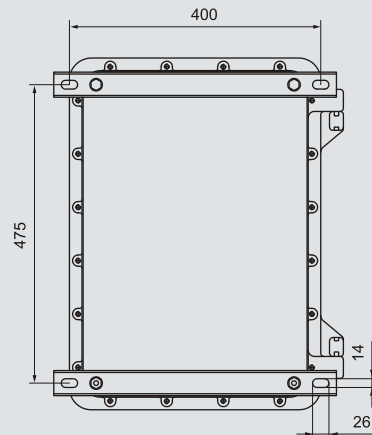
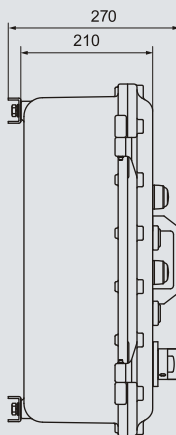
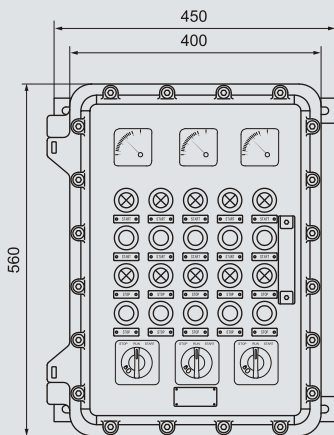
Enclosure III



Enclosure IV

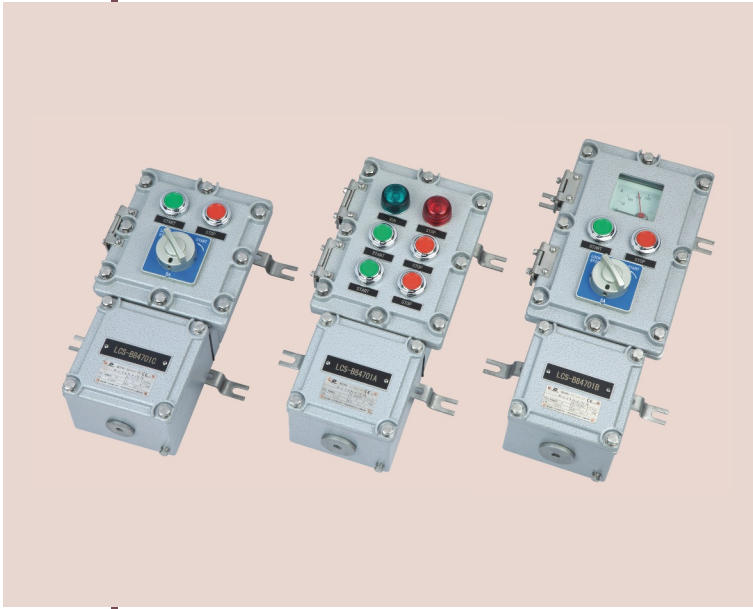


Enclosure V



Enclosure VI



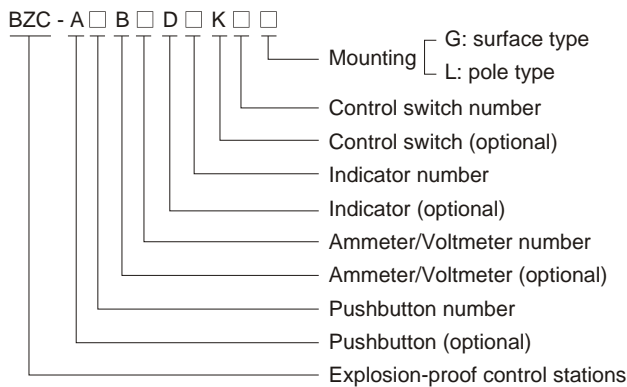


## Control Stations (Ex de IIB)

### BZC Series Explosion-proof Control Stations

- ◆ Explosion protection to
  - CENELEC
  - IEC
- ◆ Can be used in
  - Zone 1 and Zone 2
- ◆ Copper-free aluminium enclosure; powder coated external surface.
- ◆ Seven types of enclosure .

### ■ Catalogue number logic



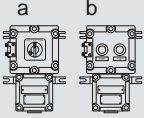
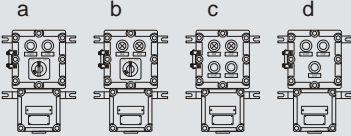
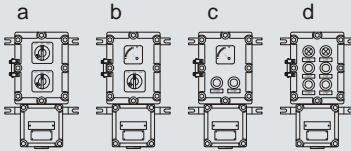
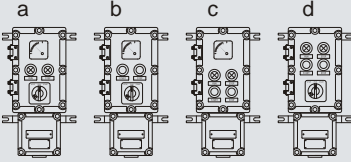
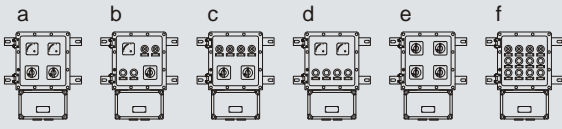
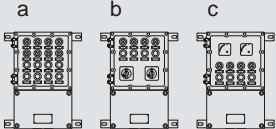
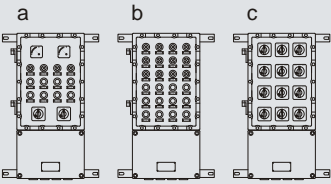
### ■ Note

1. Please refer to the Selection Table on P4/9.
2. Please select internal components as below:
  - HA pushbutton selection table on P4/12~13 (Nominal contact is 1NO+1NC);
  - HD indicator selection table on P4/14~15
  - HK control switch selection table on P4/16~19
  - BB8050 explosion-proof ammeter/voltmeter selection table on P4/49~51
3. Example: BZC-A2B1K1L
  - Components: Two pushbuttons, one ammeter, one control switch; pole type
  - Tech. Details: One start pushbutton (40036B-1 + 40033-1, green, 1NO+1NC);
  - One stop pushbutton (40036A-1 + 40033-1, red, 1NO+1NC);
  - One ammeter (40139, 100/5A);
  - One control switch (Function A, stop-run-start);
4. Special requirements on request.



## Zones 1&2

Control station BZC (Ex d IIB) selection table

Enclosure type	Components arrangement	Cable entries and direction	Ordering code	Enclosure weight (kg)
I		1-M32x 1.5 Bottom entry	40025.....	4.15
II		1-M32 x 1.5 Bottom entry	40026.....	5.30
III		1-M32 x 1.5 Bottom entry	40027.....	6.65
IV		1-M32 x 1.5 Bottom entry	40028.....	6.80
V		1-M32 x 1.5 or 2-M25x 1.5 or Bottom entry	40029.....	13.0
VI		1-M40 x 1.5 or 1-M32 x 1.5 or 4-M25 x 1.5 Bottom entry	40030.....	15.25
VII		1-M40 x 1.5 or 4-M32 x 1.5 or 6-M25 x 1.5 Bottom entry	40031.....	40.65





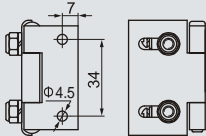
## Control Stations (Ex d IIB) BZC Series Explosion-proof Control Stations

### Technical data

#### Explosion-proof control stations BZC (Ex de IIB)

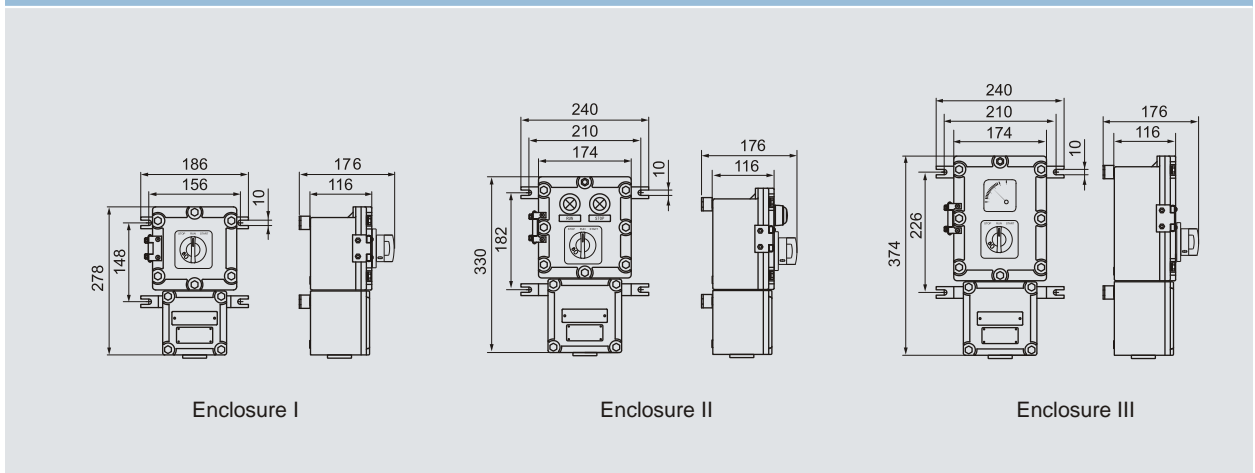
<b>Explosion protection</b>	⊕ II 2 G Ex de IIB T6
<b>Certificates</b>	PTB 03 ATEX 1076; IECEx CQM 07. 0011
<b>Conformity to standards</b>	EN 50014:1997+A1+A2, EN 50018:2000+A1, EN 50019:2000 IEC 60079-0:2004, IEC 60079-1:2003, IEC 60079-7:2001
<b>Enclosure material</b>	Copper-free aluminium; powder coated external surface
<b>Enclosure colour</b>	Window grey (RAL7040)
<b>Exposed fastener</b>	Stainless steel
<b>Rated voltage</b>	Max. 415V AC
<b>Rated current</b>	10A
<b>Degree of protection</b>	IP65
<b>Ambient temperature</b>	-20°C ~ +55°C
<b>Components</b>	1. HA pushbutton technical data on P4/12~13; 2. HD indicator technical data on P4/14~15; 3. HK control switch technical data on P4/16~19; 4. BB8050 explosion-proof ammeter/voltmeter technical data on P4/49~51.
<b>Cable entries</b>	Bottom, M□ x 1.5 plug. Please see the Selection Table on P4/9
<b>Cable gland (optional)</b>	DQM-I (Ex e) is recommended. Please see P7/17~19.
<b>Mounting</b>	Surface type Pole type (for enclosure I, II, III, IV only)
<b>Note</b>	1. Please specify the number and size of entries (applicable for surface type only). 2. For pole type, only G1" entry is applicable.

### Accessories and parts

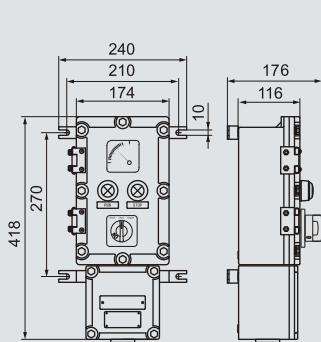
Description	Illustration	Material	Ordering code	Weight (kg)
Hinge		Stainless steel	40032	0.06



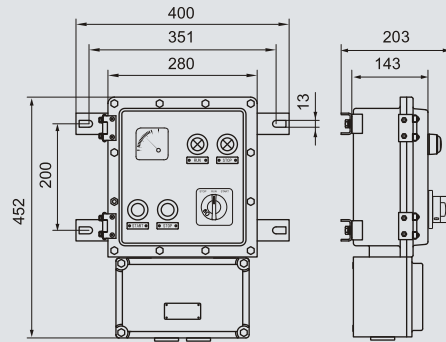
### Dimension drawings (all dimensions in mm) - subject to alteration



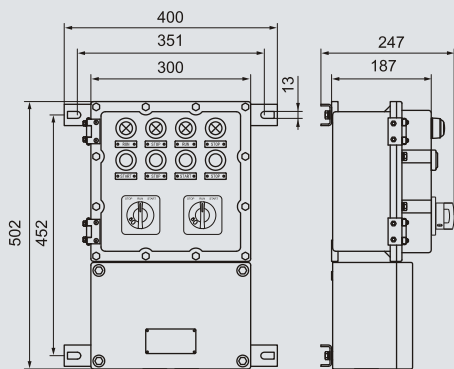
Dimension drawings (all dimensions in mm) - subject to alteration



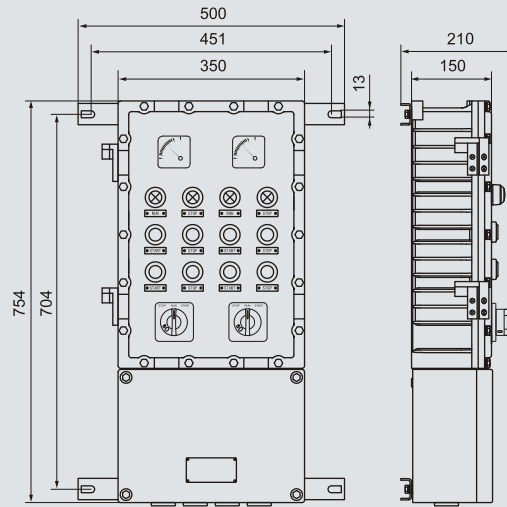
Enclosure IV



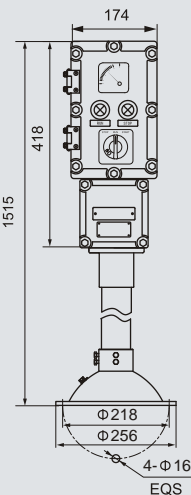
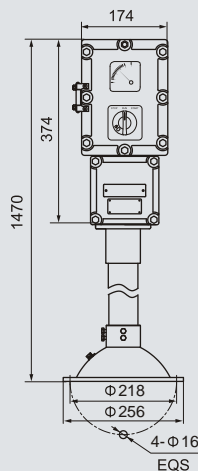
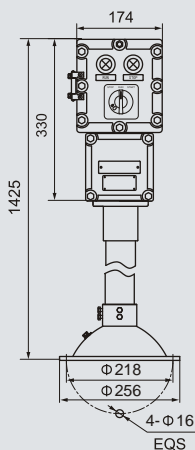
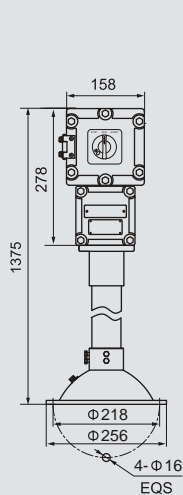
Enclosure V



Enclosure VI

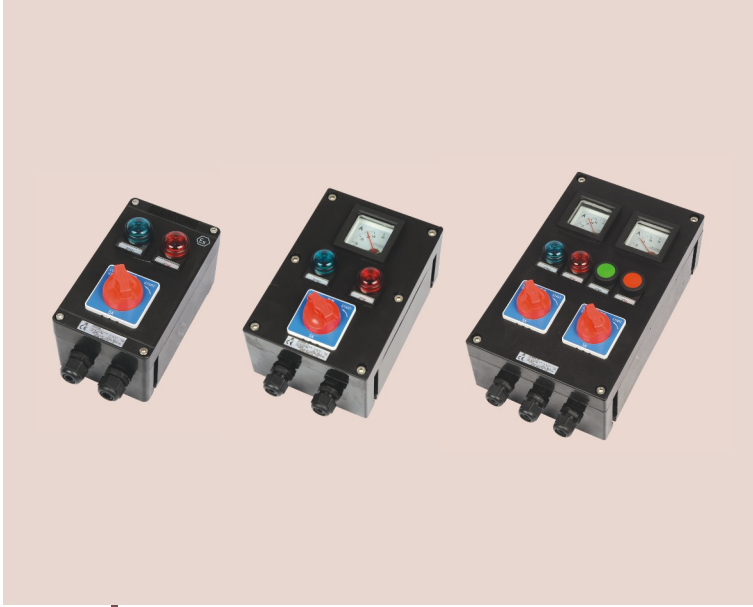


Enclosure VII



Pole type (for enclosure I, II, III, IV only)

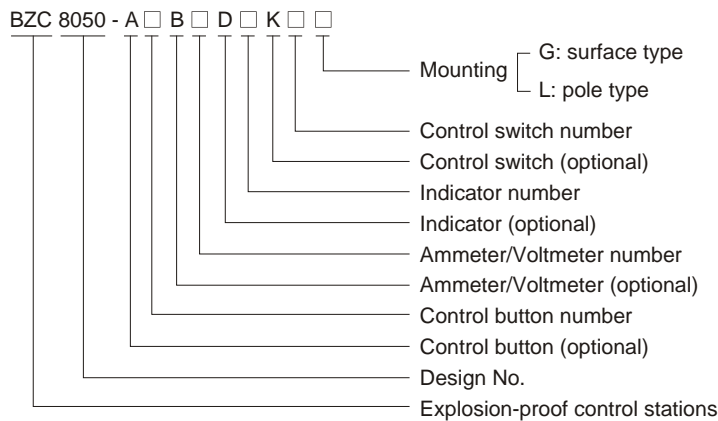




## Control Stations (GRP) BZC8050 Series Explosion-proof Control Stations

- ◆ Explosion protection to
  - CENELEC
  - IEC
  - NEC
- ◆ Can be used in
  - Zone 1 and Zone 2
  - Zone 21 and Zone 22
- ◆ GRP (glass fibre-reinforced polyester resin)
- ◆ Four enclosure types

### ■ Catalogue number logic



### ■ Note

1. Please refer to the Selection Table on P4/25.
2. Please select internal components as below:
  - BA8050 explosion-proof control button selection table on P4/36-39 (nominal contact is 1NO+1NC)
  - BD8050 explosion-proof indicator selection table on P4/40-42;
  - BK8050 explosion-proof control switch selection table on P4/43-48
  - BB8050 explosion-proof ammeter/voltmeter selection table on P4/49-51
3. Example: BZC8050-A2D2G
  - Components: Two control buttons, two indicators; surface type
  - Tech. Details: One start control button (40092B + 40090-1+40091-1, green, 1NO+1NC);
  - One stop control button (40092A+ 40090-1+40091-1, red, 1NO+1NC);
  - One indicator (40116+40100-2, green, 230V AC);
  - One indicator (40115+40099-2, red, 230V AC);
4. Special requirements on request.

## Zones 1&2; 21&22

Control station BZC8050(GRP) selection table

Enclosure type	Components arrangement	Cable entries and direction	Ordering code	Enclosure weight (kg)
I		2-M25 x 1.5 Bottom entry	40074.....	1.30
II		1-M32 x 1.5 or 2-M25 x 1.5 Bottom entry	40075.....	2.10
III		1-M32 x 1.5 or 3-M25 x 1.5 Bottom entry	40076.....	3.25
IIIx		1-M40 x 1.5 or 2-M32 x 1.5 or 4-M25 x 1.5 Bottom entry	40077.....	3.25
IV		1-M40 x 1.5 or 2-M32 x 1.5 or 6-M25 x 1.5 Bottom entry	40078.....	4.15



## Technical data

## Explosion-proof control stations BZC8050 (GRP)

## Explosion protection

Gas explosion protection

Ex II 2 G Ex de IIC T6 Ex de IIC T6 Gb

Dust explosion protection

Ex tD A21 T80°C IP65

## Certificates

For gas explosion protection

LCIE 09 ATEX 3099; IECEx CQM 11.0029; BVC10.0205 (Brazil); FM (USA)

For dust explosion protection

PCEC (China)

## Conformity to standards

EN 60079-0:2006, EN 60079-1:2004, EN 60079-7:2007

IEC 60079-0:2007, IEC 60079-1:2007, IEC 60079-7:2006

IEC 61241-0:2004, IEC 61241-1:2004

## Enclosure material

GRP (glass fibre-reinforced polyester resin)

## Enclosure colour

Black

## Exposed fastener

Stainless steel

## Rated voltage

Max. 415V AC

## Rated current

10A

## Degree of protection

IP65

## Ambient temperature

-20°C ~ +55°C

## Components

1. BA8050 explosion-proof control button technical data on P4/36~39;
2. BD8050 explosion-proof indicator technical data on P4/40~42;
3. BK8050 explosion-proof control switch technical data on P4/43~48;
4. BB8050 explosion-proof ammeter/voltmeter technical data on P4/49~51.

## Cable entries

M□ x 1.5 plug, please see the Selection Table on P4/25

## Cable gland (optional)

DQM-I (Ex e) is recommended. Please see P7/16.

Surface type

## Mounting

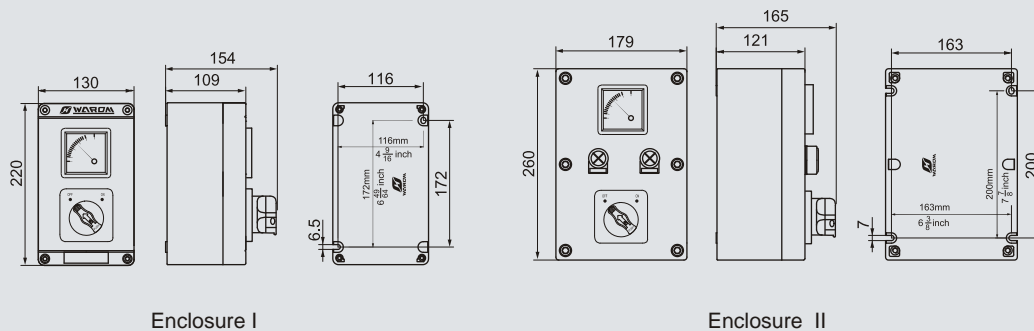
Pole type (for enclosure I, II, III only)

## Note

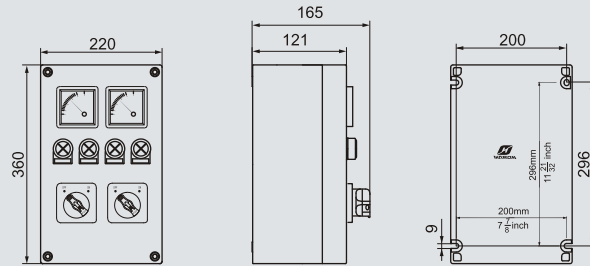
1. Please specify the number and size of entries (applicable for surface type only).
2. For pole type, only G1" entry is applicable.



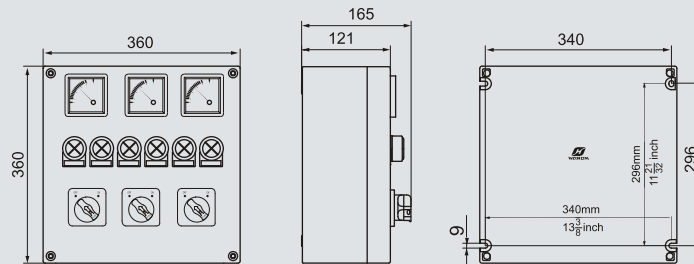
## Dimension drawings (all dimensions in mm) - subject to alteration



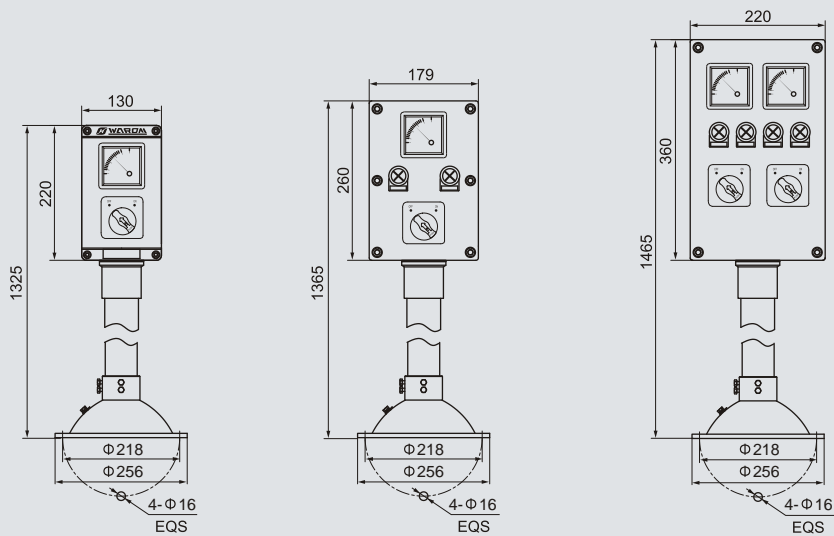
Dimension drawings (all dimensions in mm) - subject to alteration



Enclosure III

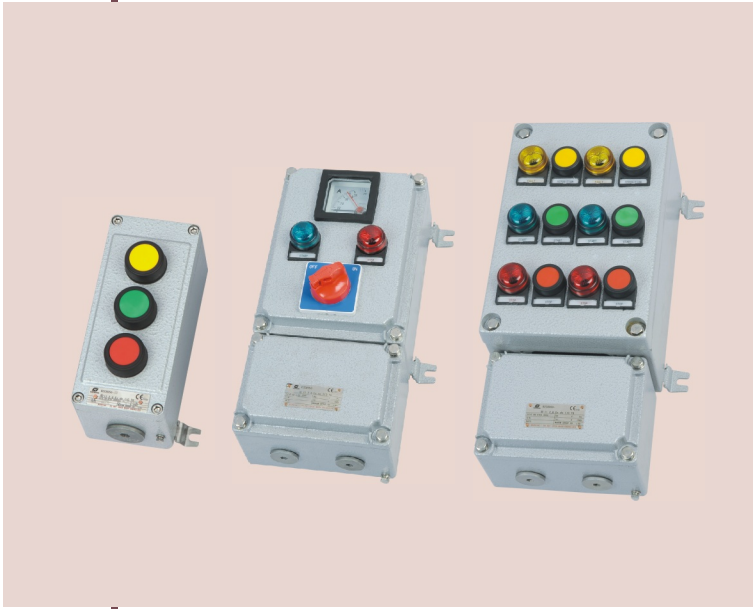


Enclosure IV



Pole type (for enclosure I, II, III only)

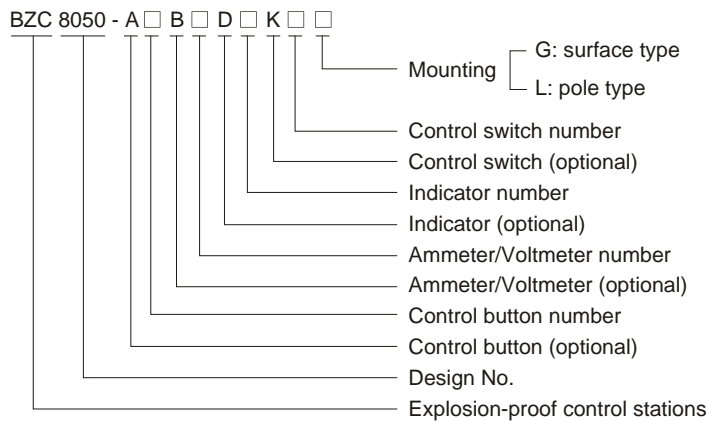




## Control Stations (Aluminium Alloy) BZC8050 Series Explosion-proof Control Stations

- ◆ Explosion protection to
  - CENELEC
  - IEC
  - NEC
- ◆ Can be used in
  - Zone 1 and Zone 2
  - Zone 21 and Zone 22
- ◆ Copper-free aluminium enclosure; powder coated external surface.
- ◆ Seven enclosure types

### ■ Catalogue number logic



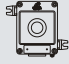
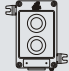
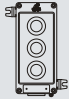
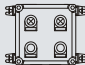

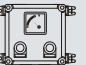
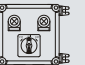
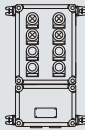
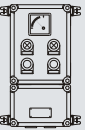
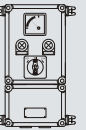
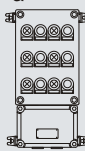
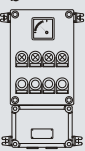





### ■ Note

1. Please refer to the Selection Table on P4/29.
2. Please select internal components as below:
  - BA8050 explosion-proof control button selection table on P4/36-39 (Nominal contact is 1NO+1NC)
  - BD8050 explosion-proof indicator selection table on P4/40-42
  - BK8050 explosion-proof control switch selection table on P4/43-48
  - BB8050 explosion-proof ammeter/voltmeter selection table on P4/49-51
3. Example: BZC8050-A2D2G
  - Components: Two control buttons , two indicators; surface type
  - Tech. Details: One control start button (40092B + 40090-1+40091-1, green, 1NO+1NC);
  - One control stop button (40092A+ 40090-1+40091-1, red, 1NO+1NC);
  - One indicator (40116+40100-2, green, 230V AC);
  - One indicator (40115+40099-2, red, 230V AC)
4. Special requirements on request.

## Zones 1&2; 21&22

# Control Stations (Aluminium Alloy) BZC8050 Series Explosion-proof Control Stations

**Control station BZC8050 (aluminium alloy) selection table**

Enclosure type	Components arrangement	Cable entries and direction	Ordering code	Enclosure weight (kg)
I		1-M25 x 1.5 Bottom entry	40079	0.65
II		1-M25 x 1.5 Bottom entry	40080	0.85
III		1-M25 x 1.5 Bottom entry	40081	1.10
IV	   	2-M25 x 1.5 Bottom entry	40082.....	3.75
V	  	1-M32 x 1.5 or 2-M25 x 1.5 Bottom entry	40083.....	6.50
VI	  	1-M40 x 1.5 or 2-M32 x 1.5 or 4-M25 x 1.5 Bottom entry	40084.....	9.00
VII	   	1-M40 x 1.5 or 2-M32 x 1.5 or 6-M25 x 1.5 Bottom entry	40085.....	13.70





## Control Stations (Aluminium Alloy)

### BZC8050 Series Explosion-proof Control Stations

#### Technical data

#### Explosion-proof control stations BZC8050 (aluminium alloy)

##### Explosion protection

Gas explosion protection

Ex II 2 G Ex de IIC T6 Ex de IIC T6 Gb

Dust explosion protection

Ex tD A21 T80°C IP65

##### Certificates

For gas explosion protection

LCIE 09 ATEX 3099; IECEx CQM 11. 0029; BVC10.0205 (Brazil); FM (USA)

For dust explosion protection

PCEC (China)

##### Conformity to standards

EN 60079-0:2006, EN 60079-1:2004, EN 60079-7:2007

IEC 60079-0:2007, IEC 60079-1:2007, IEC 60079-7:2006

IEC 61241-0:2004, IEC 61241-1:2004

##### Enclosure material

Copper-free aluminium; powder coated external surface

##### Enclosure colour

Window grey (RAL7040)

##### Exposed fastener

Stainless steel

##### Rated voltage

Max. 415V AC

##### Rated current

10A

##### Degree of protection

IP65

##### Ambient temperature

-20°C ~ +55°C

##### Components

1. BA8050 explosion-proof control button technical data on P4/36~39;

2. BD8050 explosion-proof indicator technical data on P4/40~42;

3. BK8050 explosion-proof control switch technical data on P4/43~48;

4. BB8050 explosion-proof ammeter/voltmeter technical data on P4/49~51.

##### Cable entries

M□ x 1.5 plug, please see the Selection Table on P4/29

##### Cable gland (optional)

DQM-I (Ex e) is recommended. Please see P7/17~19.

##### Mounting

Surface type

Pole type (for enclosure IV, V, VI only)

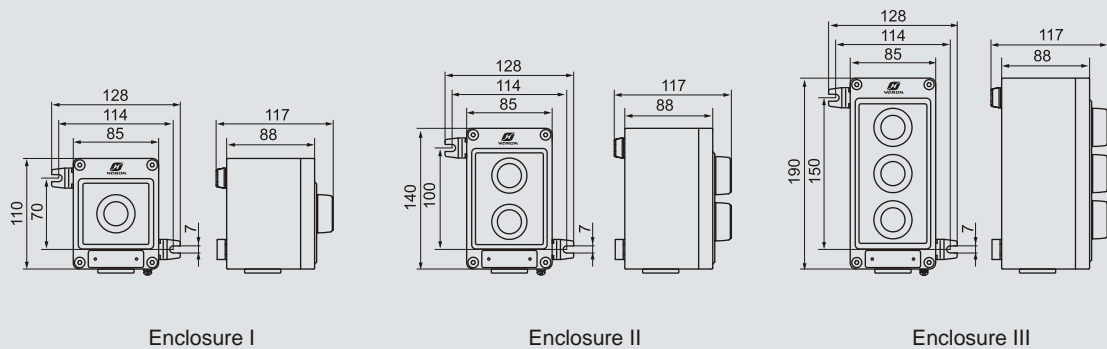
##### Note

1. Please specify the number and size of entries (applicable for surface type only).

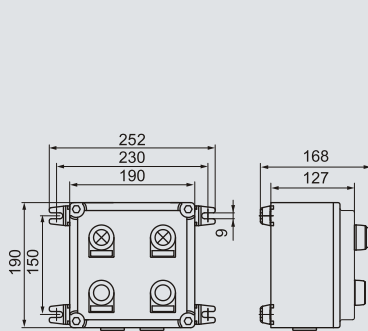
2. For pole type, only G1" entry is applicable.



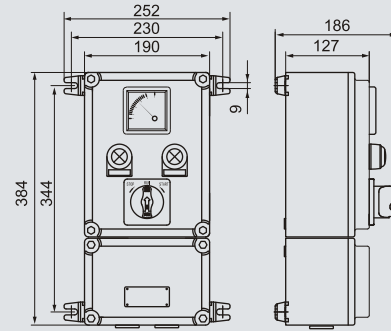
#### Dimension drawings (all dimensions in mm) - subject to alteration



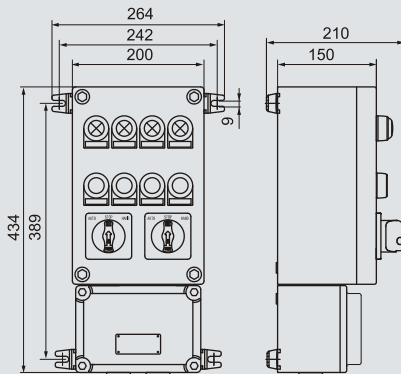
Dimension drawings (all dimensions in mm) - subject to alteration



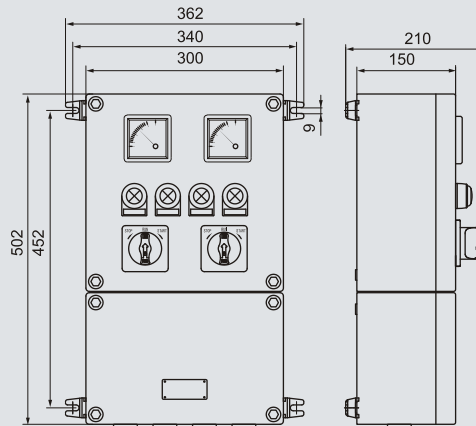
Enclosure IV



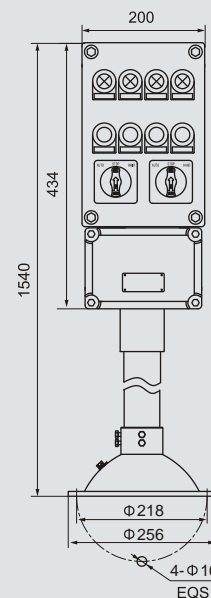
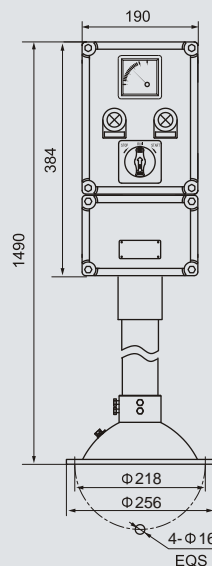
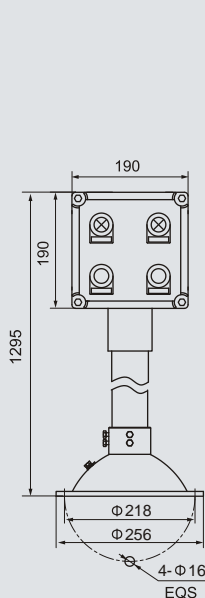
Enclosure V



Enclosure VI



Enclosure VII



Pole type(for enclosure IV, V, VI only)

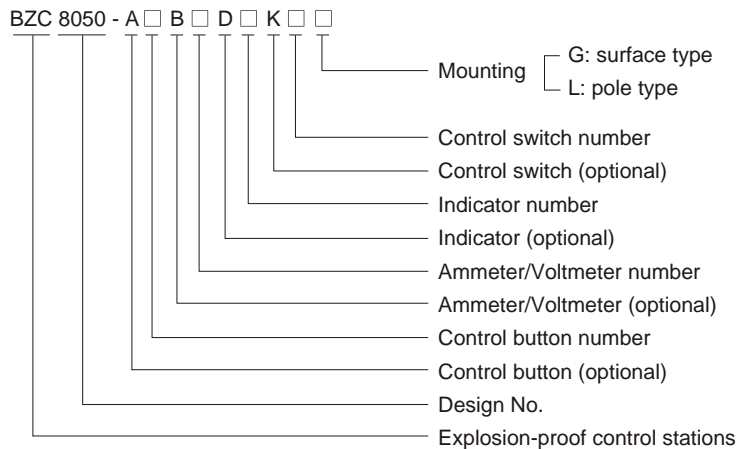




## Control Stations (Stainless Steel) BZC8050 Series Explosion-proof Control Stations

- ◆ Explosion protection to
  - CENELEC
  - IEC
  - NEC
- ◆ Can be used in
  - Zone 1 and Zone 2
  - Zone 21 and Zone 22
- ◆ Stainless steel enclosure
- ◆ Four enclosure types

### ■ Catalogue number logic



### ■ Note

1. Please refer to the Selection Table on P4/33.
2. Please select internal components as below:
  - BA8050 explosion-proof control button selection table on P4/36–39 (Nominal contact is 1NO+1NC)
  - BD8050 explosion-proof indicator selection table on P4/40–42
  - BK8050 explosion-proof control switch selection table on P4/43–48
  - BB8050 explosion-proof ammeter/voltmeter selection table on P4/49–51
3. Example: BZC8050-A2D2G
  - Components: Two control buttons, two indicators; surface type
  - Tech. Details: One control start button (40092B + 40090-1+40091-1, green, 1NO+1NC);
  - One control stop button (40092A+ 40090-1+40091-1, red, 1NO+1NC);
  - One indicator (40116+40100-2, green, 230V AC );
  - One indicator (40115+40099-2, red, 230V AC );
4. Special requirements on request.

## Zones 1&2; 21&22

## Control Stations (Stainless Steel) BZC8050 Series Explosion-proof Control Stations

**Control station BZC8050 (stainless steel) selection table**

Enclosure type	Components arrangement	Cable entries and direction	Ordering code	Enclosure weight (kg)
I		2-M25 x 1.5 Bottom entry	40086.....	2.80
II		1-M32 x 1.5 or 2-M25 x 1.5 Bottom entry	40087.....	4.50
III		1-M40 x 1.5 or 2-M32 x 1.5 or 4-M25 x 1.5 Bottom entry	40088.....	6.75
IV		1-M40 x 1.5 or 2-M32 x 1.5 or 6-M25 x 1.5 Bottom entry	40089.....	10.25



## Control Stations (Stainless Steel)

### BZC8050 Series Explosion-proof Control Stations

#### Technical data

#### Explosion-proof control stations BZC8050 (stainless steel)

##### Explosion protection

Gas explosion protection

Ex II 2 G Ex de IIC T6 Ex de IIC T6 Gb

Dust explosion protection

Ex tD A21 T80°C IP65

##### Certificates

For gas explosion protection

LCIE 09 ATEX 3099; BVC10.0205 (Brazil); FM (USA); IECEX

For dust explosion protection

PCEC (China)

##### Conformity to standards

EN 60079-0:2006, EN 60079-1:2004, EN 60079-7:2007

IEC 60079-0:2007, IEC 60079-1:2007, IEC 60079-7:2006

IEC 61241-0:2004, IEC 61241-1:2004

##### Enclosure material

Stainless steel

##### Enclosure colour

Metal colour

##### Exposed fastener

Stainless steel

##### Rated voltage

Max. 415V AC

##### Rated current

10A

##### Degree of protection

IP65

##### Ambient temperature

-20°C ~ +55°C

##### Components

1. BA8050 Explosion-proof control button technical data on P4/36~39;
2. BD8050 Explosion-proof indicator technical data on P4/40~42;
3. BK8050 Explosion-proof control switch technical data on P4/43~48;
4. BB8050 explosion-proof ammeter/voltmeter technical data on P4/49~51.

##### Cable entries

M□ x 1.5 plug, please see the Selection table on P4/33

##### Cable gland (optional)

DQM-I (Ex e) is recommended. Please see P7/17~19.

##### Mounting

Surface type

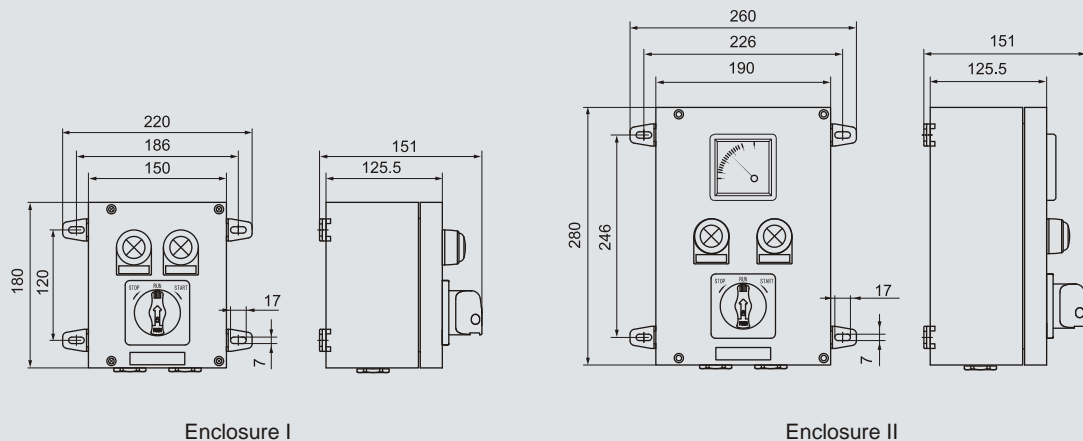
Pole type (for enclosure I,II, III only)

##### Note

1. Please specify the number and size of entries (applicable for surface type only).
2. For pole type, only G1" entry is applicable.

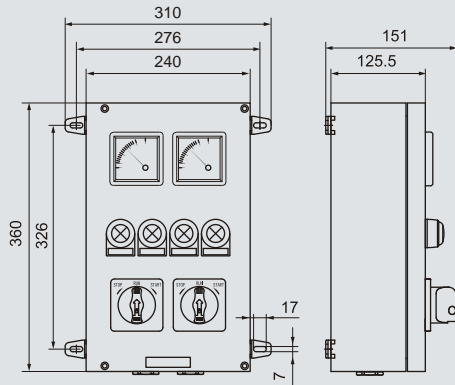


#### Dimension drawings (all dimensions in mm) - subject to alteration

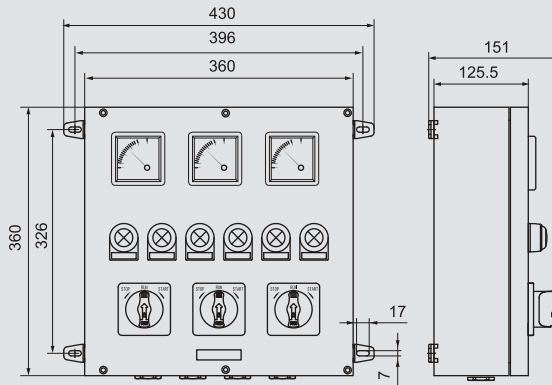


## Control Stations (Stainless Steel) BZC8050 Series Explosion-proof Control Stations

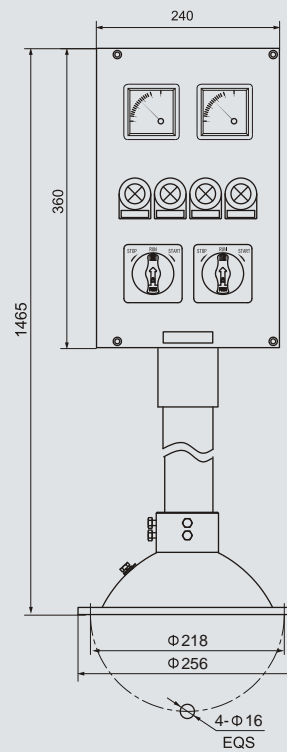
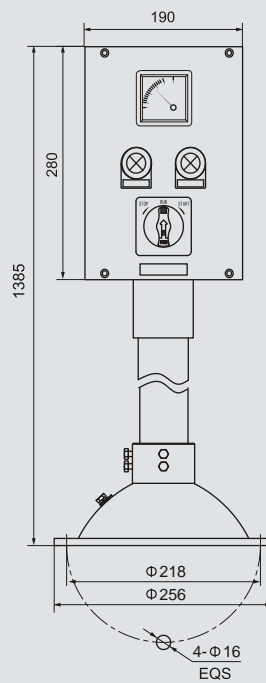
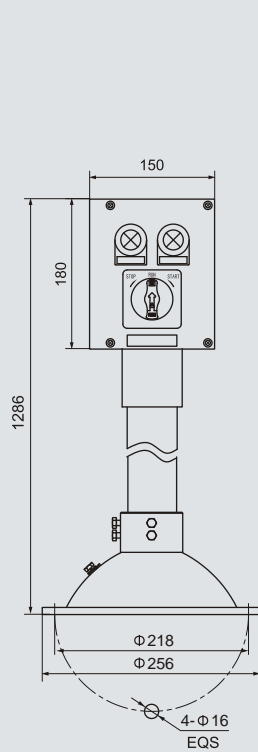
Dimension drawings (all dimensions in mm) - subject to alteration



Enclosure III



Enclosure IV



Pole type (for enclosure I, II, III only)

